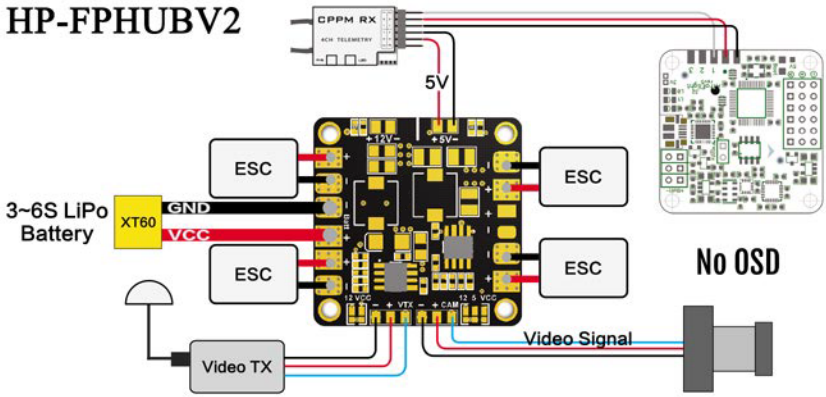




# HP-FPHUBV2



You may choose 5V or 12V

